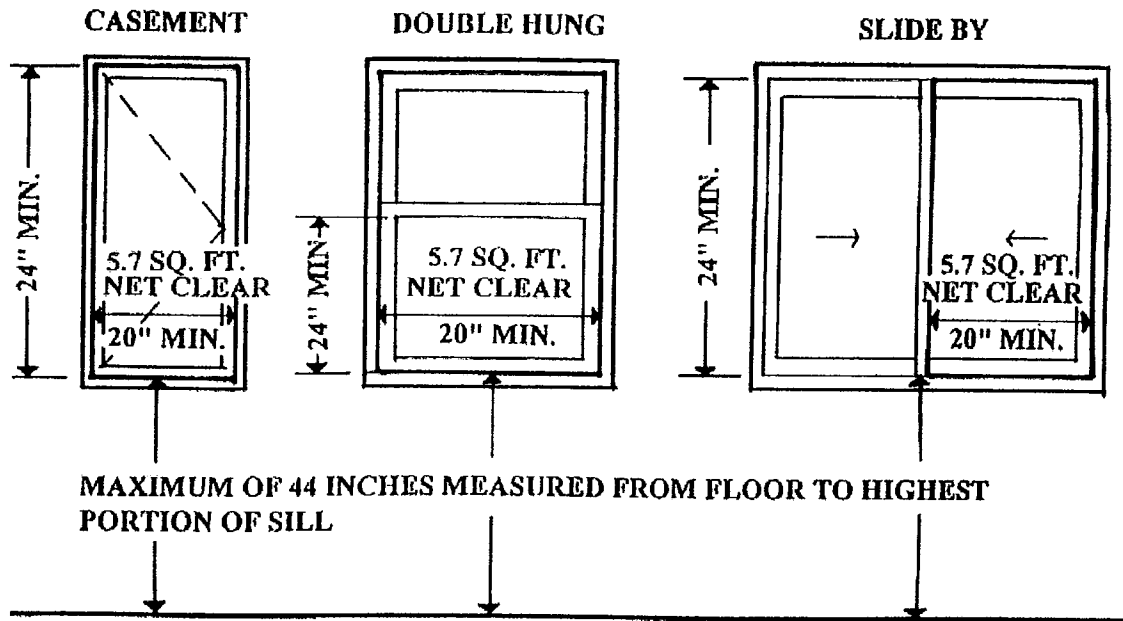
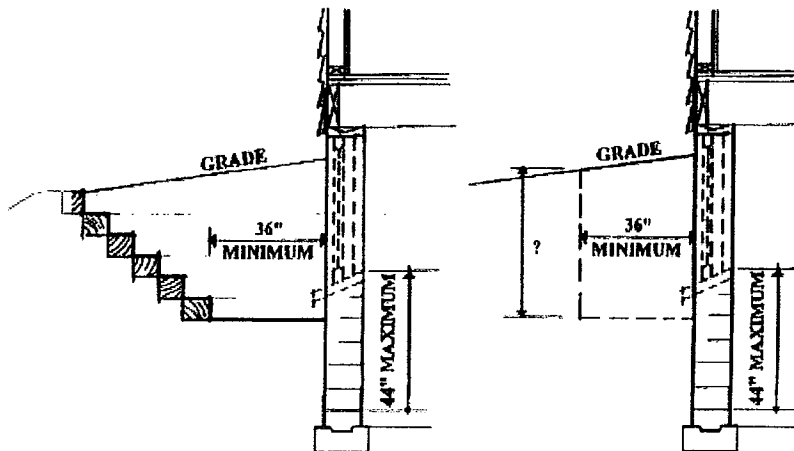


ESCAPE OR RESCUE WINDOWS



2000 IRC 310.1

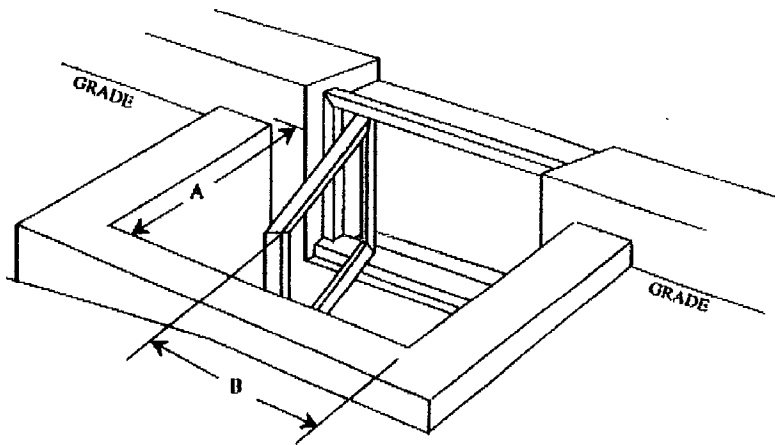
ESCAPE AND RESCUE WINDOWS WITH A FINISHED SILL HEIGHT BELOW ADJACENT GRADE LEVEL SHALL HAVE A WINDOW WELL



IRC 310.1

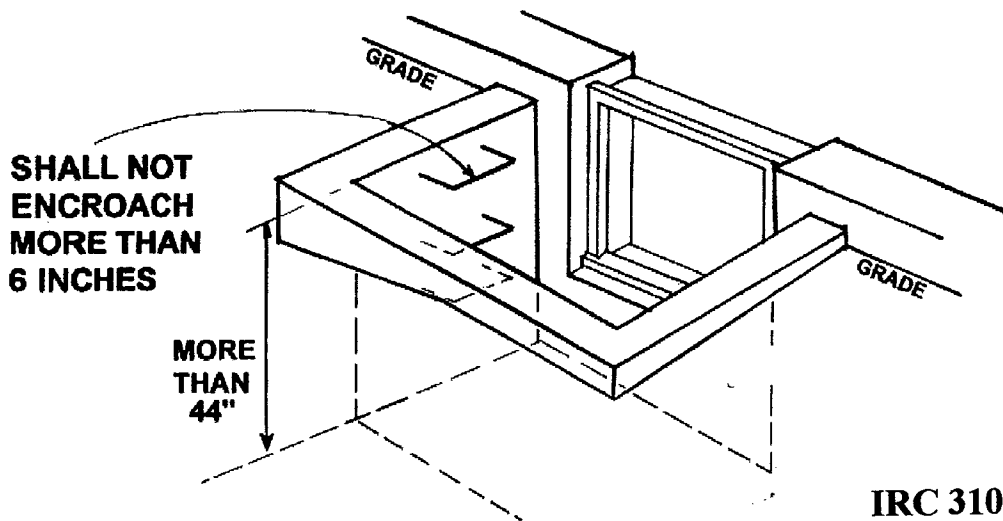
ESCAPE OR RESCUE WINDOW WELLS

THE CLEAR HORIZONTAL DIMENSIONS SHALL ALLOW THE WINDOW TO BE FULLY OPENED AND PROVIDE A MINIMUM ACCESSIBLE NET CLEAR OPENING OF 9 SQUARE FEET, WITH A MINIMUM DIMENSION OF 36 INCHES.



IRC 310.2

WINDOW WELLS WITH A VERTICAL DEPTH OF MORE THAN 44 INCHES SHALL BE EQUIPPED WITH AN APPROVED PERMANENTLY AFFIXED LADDER OR STAIR THAT ARE ACCESSIBLE WITH THE WINDOW FULLY OPEN



IRC 310.2